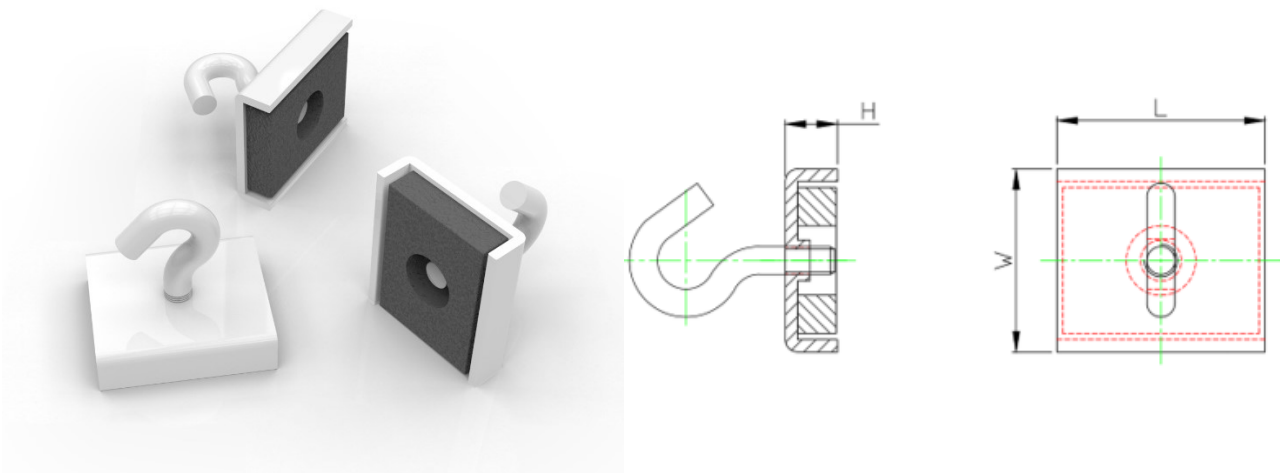


# Ferrite channel magnet with hook, white powder coated 1"



Item No.	L	W	H	Force		
	mm	mm	mm	Kg	N	Lbs
CHFL1K-W	25.4	22.7	6.7	4	39	9

