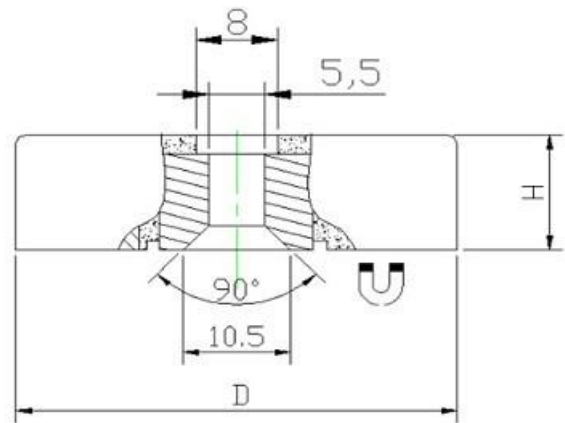


## Plastic cased magnet with countersunk



Item No	D	H	Force			Weight
	mm	mm	Kg	N	Lbs	g
PCFB43C-W	43	12	12	120	27	77

