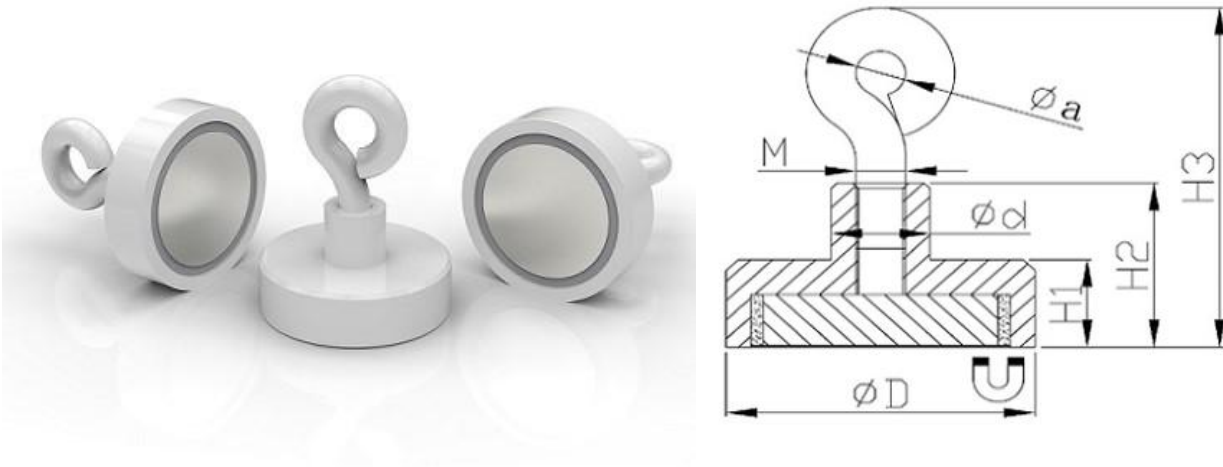


## NdFeB flat pot magnet with eyelet, white powder coated



Item No.	D	d	H1	H2	H3	a	M	Force			weight g
	mm	mm	mm	mm	mm	mm		Kg	N	Lbs	
M-TNE16O-W	16.3	6.3	4.8	11.8	27.3	4.2	M4	5	49	11	11
M-TNE25O-W	25.3	8.3	7.3	14.3	30.3	4.2	M4	16	156	35	30
M-TNE32O-W	32.3	10.3	7.3	15.8	45.3	10.7	M5	28	274	61	56
M-TNE40O-W	40.3	15.3	9.3	18.3	59.3	18.7	M6	39	382	85	117

