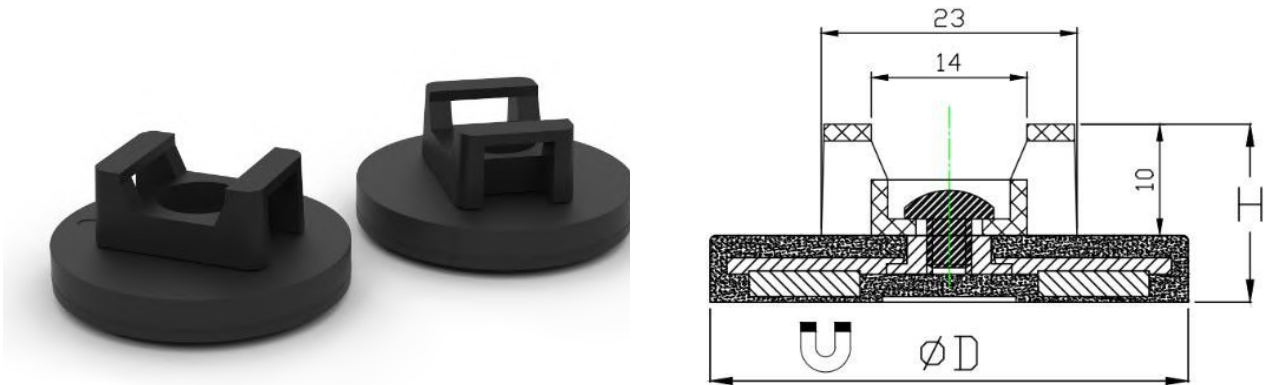


NdFeB black rubber coated magnet with mounting hole



Item No.	D	H	Force			Weight
	mm	mm	Kg	N	Lbs	g
RCND22H	22	16	5.9	58	13	11.5
RCND31H	31	16	9	89	20	22.5
RCND43H	43	16	10	100	22	37.5

