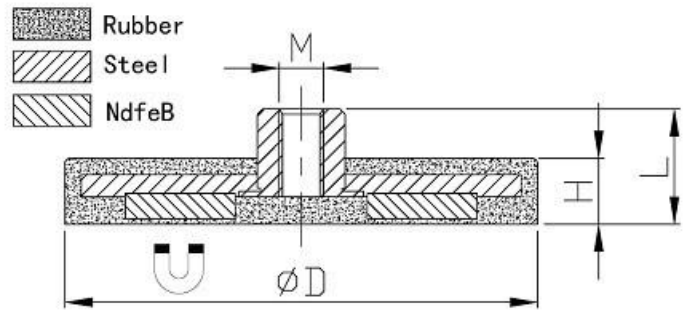


NdFeB black rubber coated magnet with female thread



Item No.	D	H	L	M	Force			Weight
	mm	mm	mm		Kg	N	Lbs	g
RCND22F	22	6	6	M4	5.9	58	13	10
RCND31F	31	6	6	M5	9	89	20	21
RCND43F	43	6	6	M6	10	100	22	36
RCND66F	66	8	8	M6	25	250	56	107
RCND88F	88	8.5	8.5	M6	56	550	123	210

