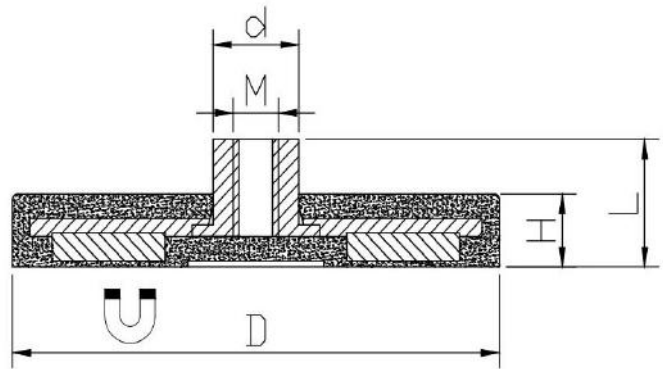
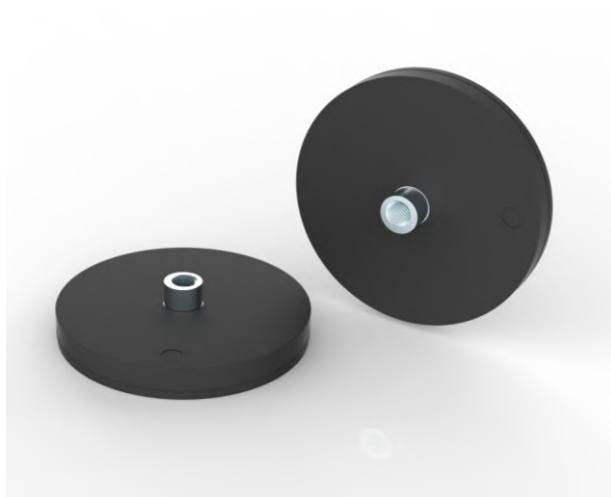


NdFeB rubber coated magnet with screw bush



Item No.	D	d	H	L	M	Force			Weight
	mm	mm	mm	mm		Kg	N	Lbs	g
RCND22F-11.5	22	8	6	11.5	M4	5.9	58	13	13
RCND31F-11.5	31	8	6	11.5	M4	9	89	20	22
RCND43F-10.5	43	8	6	10.5	M4	10	100	22	30
RCND66F-15	66	10	8.5	15	M5	25	250	56	105
RCND88F-17	88	12	8.5	17	M8	56	550	123	192

